

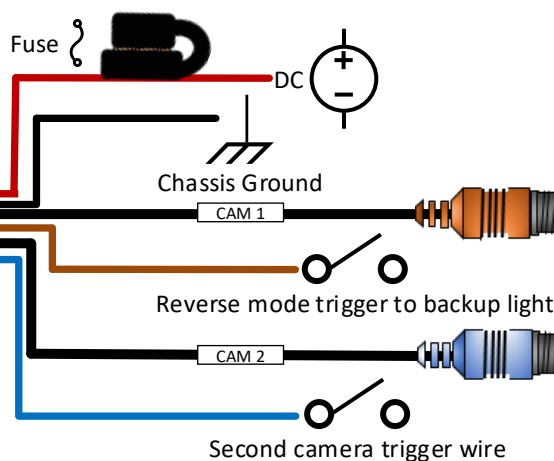


5" Monitor kit
Part Number MK05J

7" Monitor kit
Part Number MK07J



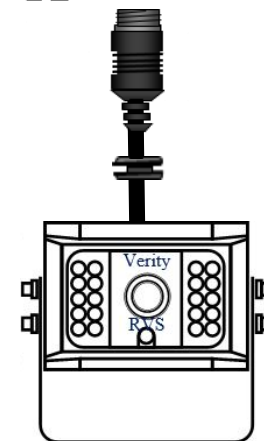
Optional: ADD100Z Cast Aluminum Camera Cover protects the camera and prevents theft.



Camera Extension Cable
20 m. – 65 ft. female to female camera cable part # CB021



Includes our ADD25F Heavy Duty Mount



Verity Camera Part Number VTY C001J

Wire Connection Key with waterproof 4-pin camera connectors

- Red wire** to Ignition hot (+) 10-24v. DC (waterproof fuse) DC ⊕
- Black wire** to GND. (-) ⊕
- Brown trigger** for camera 1 / Brown 4-pin (Cam 1) - Camera 1 Rear ⊕
- Blue trigger** for camera 2 / Blue 4-pin (Cam 2) – Optional Camera ⊕

NOTICE

Diagram is for reference purpose only
Subject to change without notice. Not to Scale

9 18 rev 3

**Systems SM05J and SM07J
"J" Series Systems**